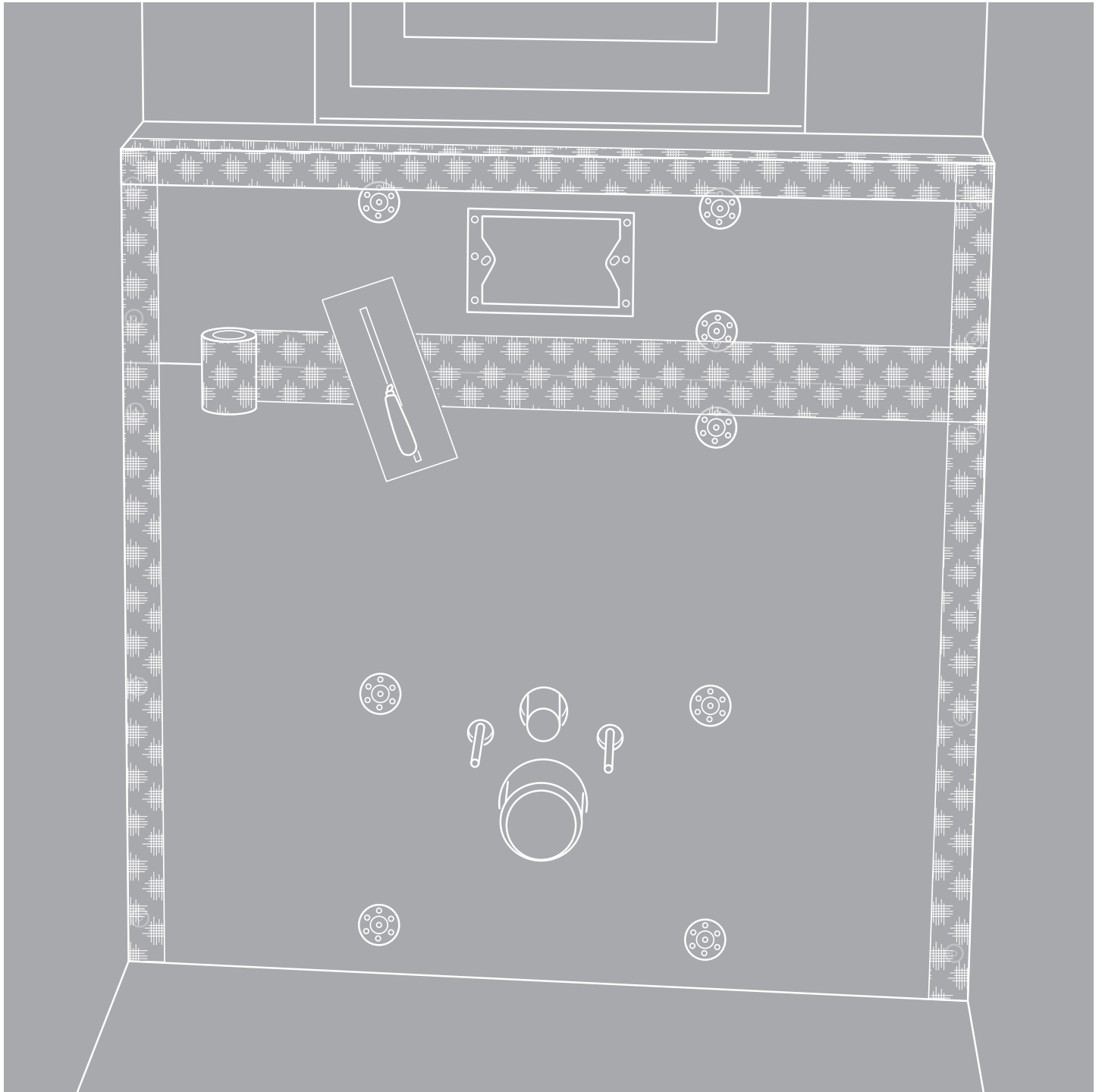


JACKBOARD[®] Sabo

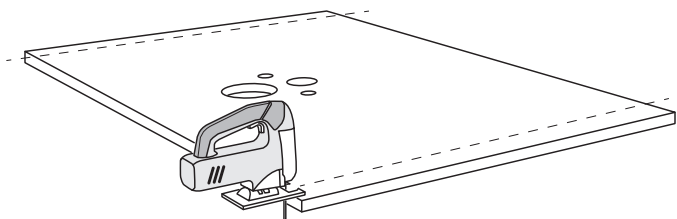
Application for cladding WC wall elements.



Installation Instructions

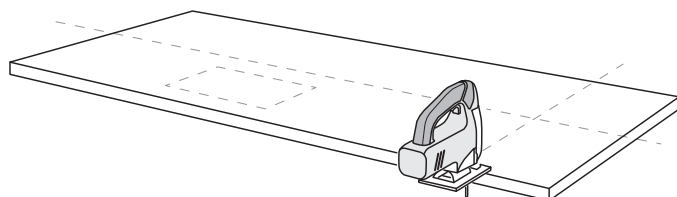
JACKOBOARD® Sabo is designed for universal application in cladding WC wall elements. It can be used to clad from wall to wall, as shown in this example, or for cladding a box shape.

1) First, cut JACKOBOARD® Sabo to the right size.



2) Bolt JACKOBOARD® Sabo into place. In the area of the WC wall element, only the special screws included with the set must be used together with the insulation board discs, as shown in the illustration. The holes in this area may need to be pre-drilled with a 3 mm drill.

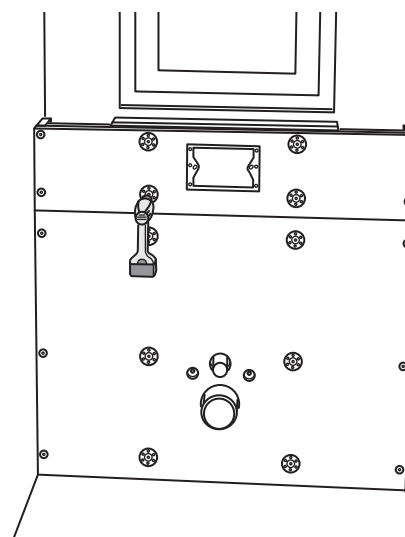
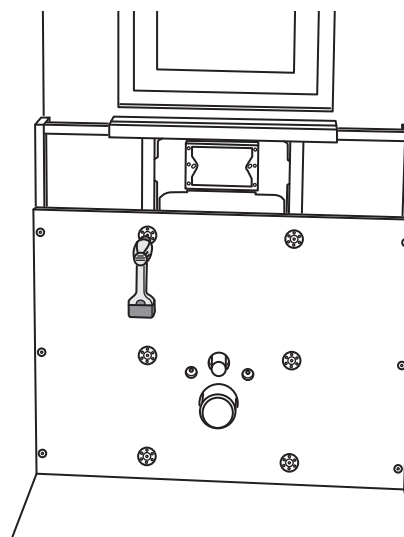
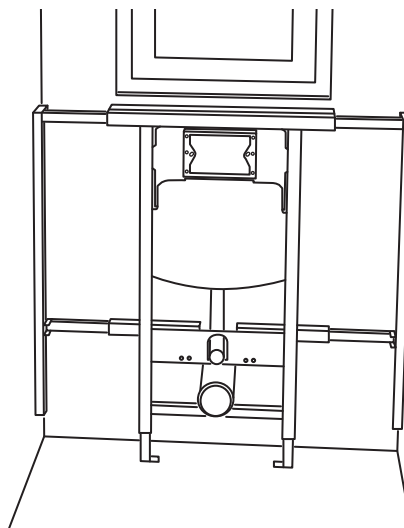
3) Cut the front panel out of the 2nd board and then the cutout for the flush plate.

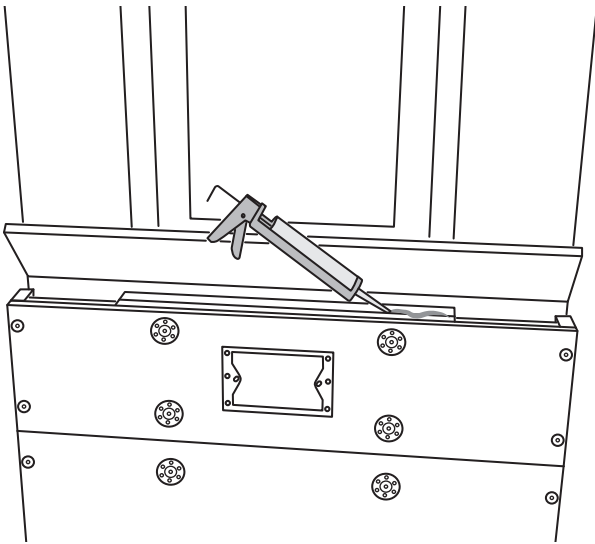


Bolt the front panel into place.

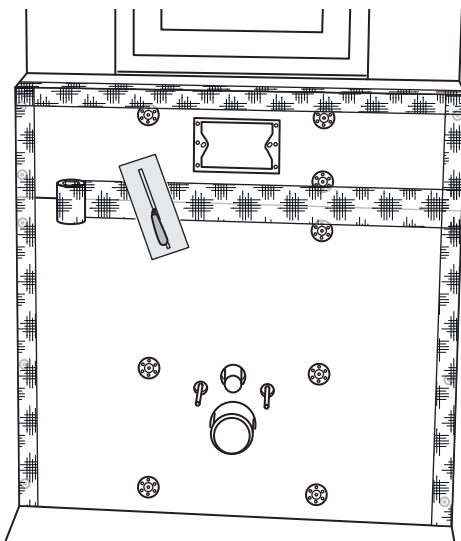
General notes on storage and use

JACKOBOARD® Sabo construction boards should always be stored flat, irrespective of the thickness. They must be protected against direct sunlight and moisture. Any use of agents containing solvents must be avoided.





4) Cut out the cover and either bolt it into place or use PU assembly adhesive (e.g. JACKODUR® assembly adhesive) to glue it into place.



5) Seal all joints and edges with glass fibre tape (e.g. JACKOBOARD® glass fibre tape).



6) JACKOBOARD® Sabo must be covered with tiles to ensure the sufficiently even distribution of pressure when the WC is in use. The tiles can be laid directly on JACKOBOARD® Sabo. All types and sizes of tiles can be used in principle. The tiles should, however, measure at least 100 x 100 mm, and be at least 7 mm thick. Once the tile adhesive has hardened, the WC can be mounted on the tile surface.

Note: JACKOBOARD® Sabo is only designed for cladding purposes. The load of the WC must therefore always be transferred through the steel frame of the WC wall element. With WCs that have a reduced contact surface, such as Subway 2.0 from Villeroy & Boch or WCs of a similar design, pre-wall elements for WCs, which have additional struts running vertically underneath the contact surfaces of the WC, must be used.

Please note

The information in this leaflet is based on our experience and current materials specification. It represents no specific guarantee and the instructions for use outlined should be always observed together with considerations regarding building structure and existing Building Law.