

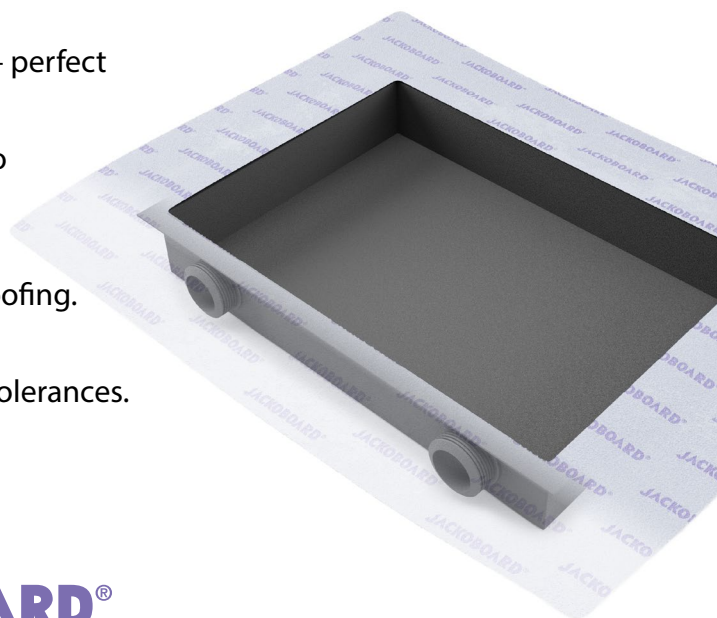
JACKOBOARD® Installation Box

New



*Full waterproofing, always flexible,
shower base easily replaceable*

- **Revisable:** Allows the later replacement of the shower tray without damaging the building's waterproofing.
- **Easy replacement:** Effortless change of the floor drain – perfect when upgrading to a different shower element.
- **Guaranteed safety:** Enhanced leak protection thanks to the integrated drain connection inside the box.
- **Integrated sealing:** Factory-applied sealing collar for quick and reliable connection to the building's waterproofing.
- **Flexible installation:** Multiple connection points and adjustable orientation to compensate for construction tolerances.





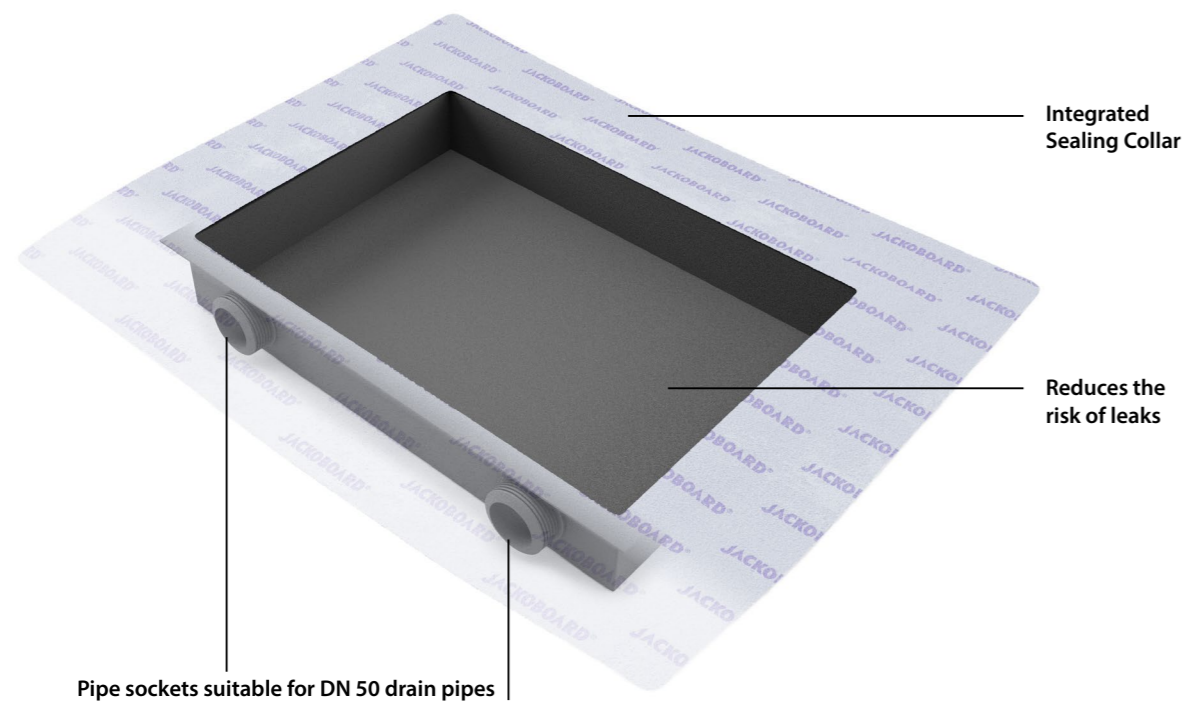
JACKOBOARD® Installation Box

The safe and flexible solution

Maximum safety combined with *ultimate flexibility*. The waterproofing remains fully protected while the shower tray can be easily replaced at any time. Be ready for future adjustments – with no risk and no costly renovation work.

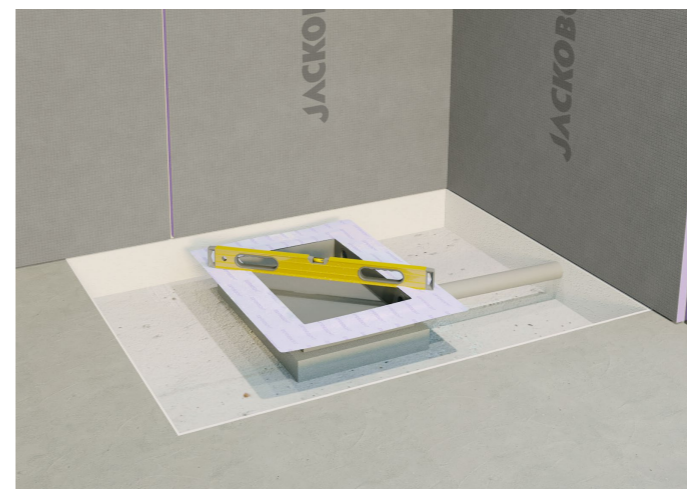
Perfectly suitable for steel, solid surface, mineral cast, and acrylic shower trays – for both renovations and new builds.

Art.-Nr.	EAN-Code	Dimensions mm	Pack content pcs.
4529364	40 25345 17875 3	504 x 364 x 102	1

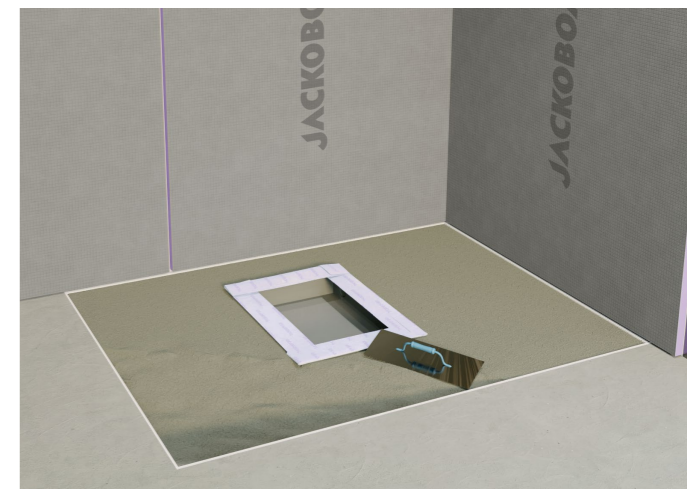


JACKOBOARD®

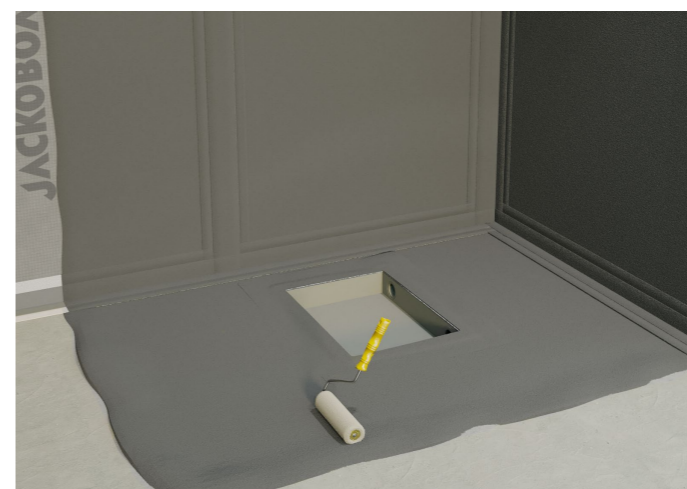
Flexible Installation



1) Align and connect the installation box



2) Fill the floor recess with leveling screed



3) Seal all transitions and surfaces



4) Insert the drain and shower element



5) Tile the walls and floor

JACKOBOARD®

JACKON Insulation GmbH

Carl-Benz-Straße 8

D-33803 Steinhagen

T +49 (0) 5204 9955 - 444

E info@jackodur.com

W www.jackon-insulation.com



JACKON Insulation GmbH is a member of the German Sustainable Building Council (DGNB e.V.).



Reg. no. 067674