

# JACKOBOARD<sup>®</sup> Aqua Line easy

Channel drain board.



Installation Instructions



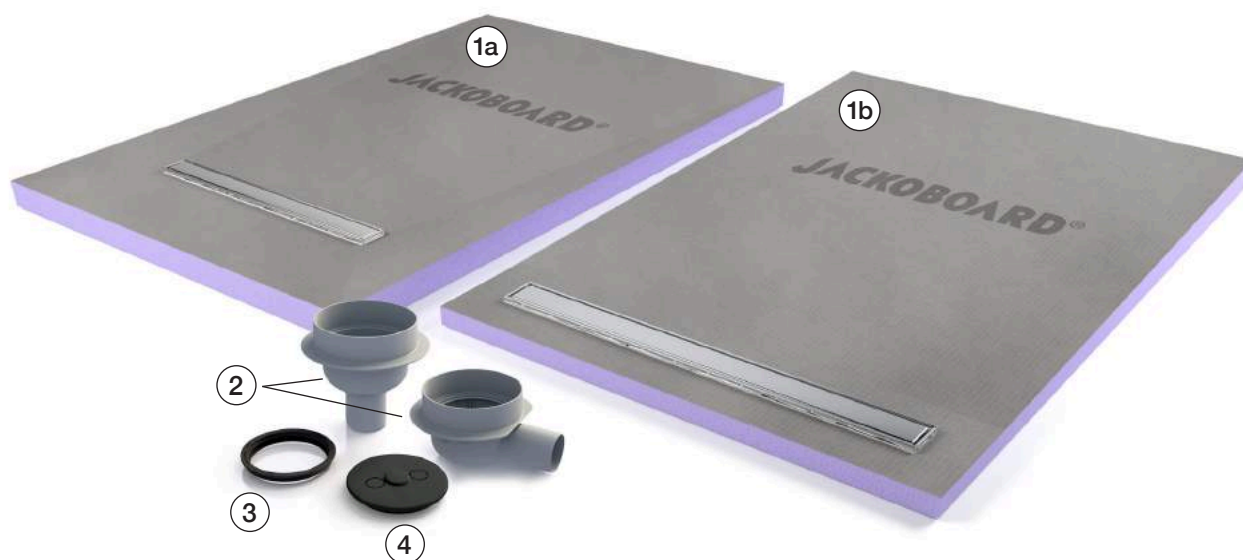
# JACKOBOARD® Aqua Line easy – System components

Components required for installing the tileable shower board:

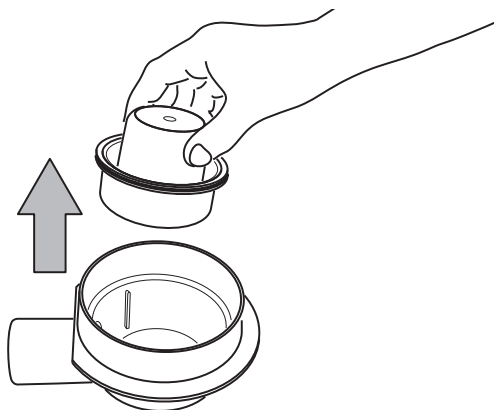
- A tileable shower board with integrated drain channel

The following must be ordered separately:

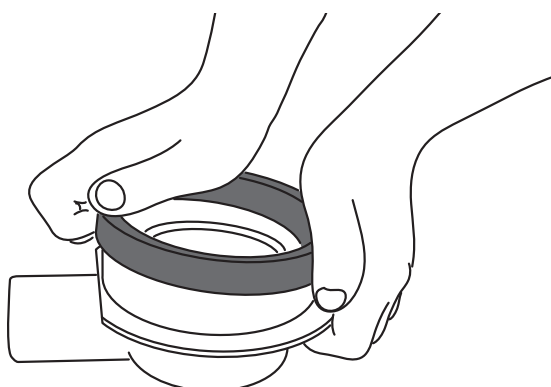
- Floor drain, horizontal (Art. no. 4515478)  
Floor drain, vertical (Art. no. 4515479)
- JACKOBOARD® sealing set
- Cement based tile adhesive
- Levelling screed



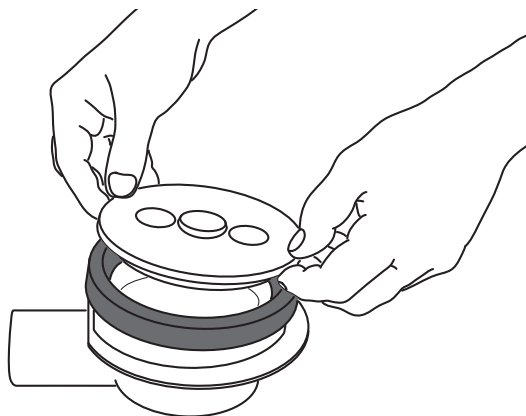
- ①a JACKOBOARD® Aqua line easy 4-sided fall
- ①b JACKOBOARD® Aqua line easy 1-sided fall
- ② Vertical (or horizontal) floor drain
- ③ Retaining ring with seal ring (incorporated)
- ④ Protective cover



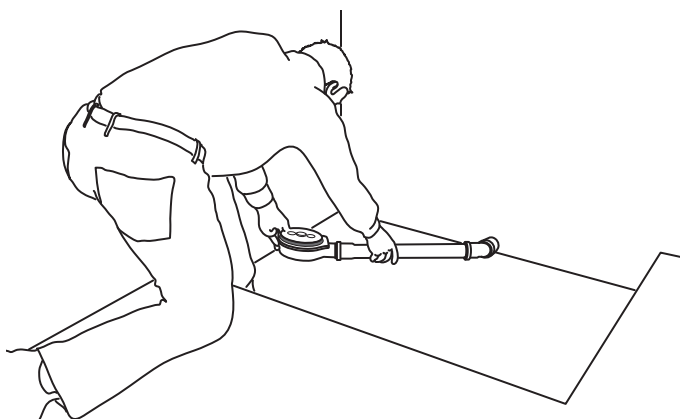
1) If the floor drain contains an odour trap, it must be completely removed (top and bottom sections). The shower drain channel is already fitted with a special odour trap.



2) Place the retaining ring with seal ring on the floor drain and push it down firmly until it audibly clicks into place.

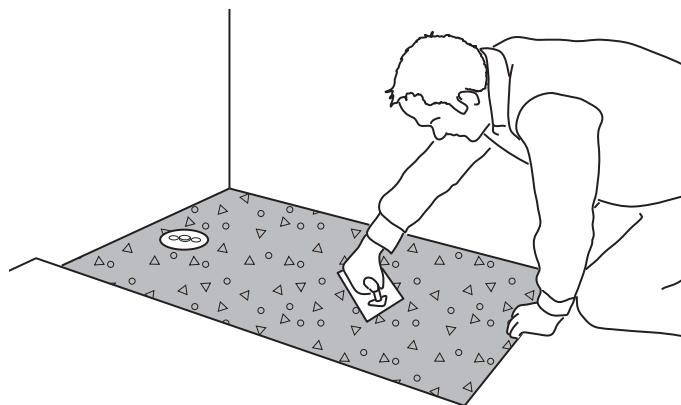


3) Cover the floor drain with the protective cover.

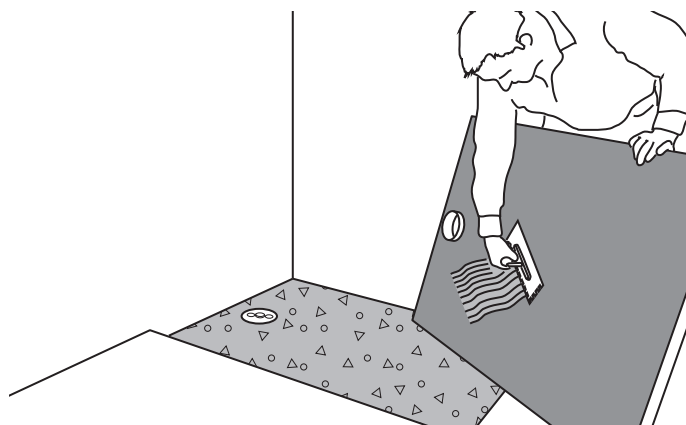


4) Insert the floor drain into the existing DN 50 pipe. Make sure the drain is at the right height and position (see the illustration "Installation height", Pages 6 and 7). In the case of floor structures with impact sound insulation, include the installation of suitable impact sound insulation and edge insulation strips in the planning.

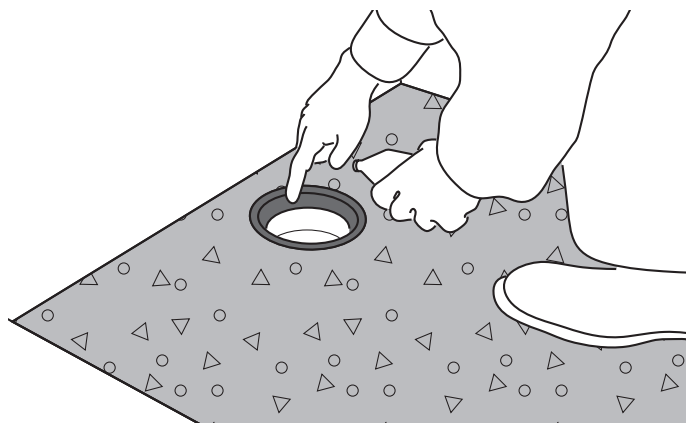
5) Fill the floor recess with levelling screed and smooth it flat at the correct height. The resulting surface must be flat and horizontal. The height difference to the screed equates to the thickness of the shower element (40, 50, 60, 70 mm) + approx. 5 mm mortar. The floor drain must bond firmly with the mortar to enable load absorption.



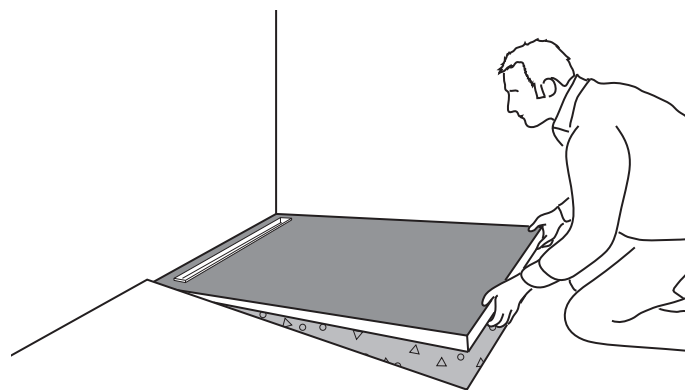
6) Remove the protective cover. Apply cement-based single part flexible tile adhesive to the entire underside of the shower board.

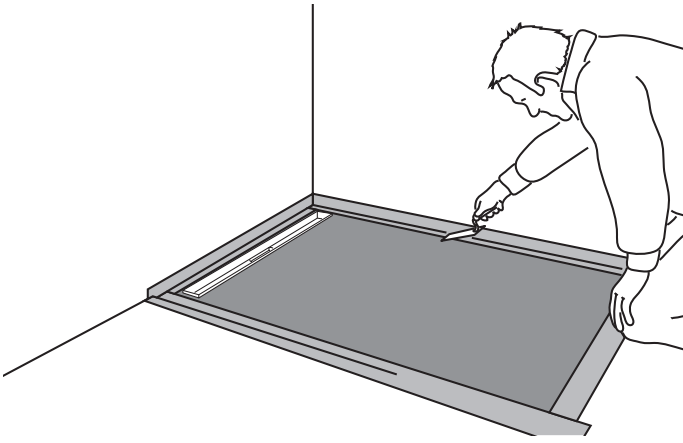


7) Grease the seal ring on the floor drain to facilitate installation of the shower board.

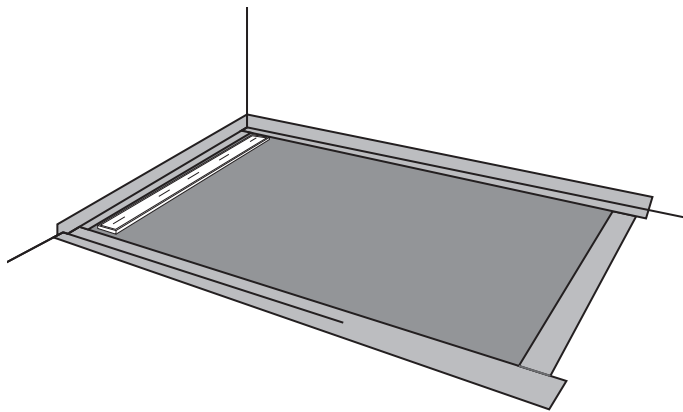


8) Position JACKOBOARD® Aqua Line easy in the screed recess, making sure the drain nozzle on the channel fits into the seal ring on the drain.





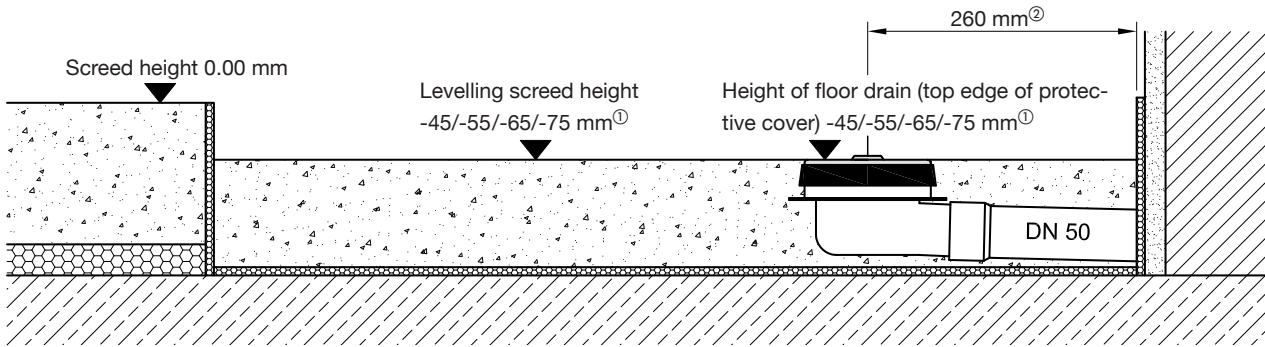
9) All connecting joints are sealed with the JACKOBOARD® sealing set (or equivalent).



10) Once Installation of JACKOBOARD® Aqua Line easy is finished the shower element can now be tiled.

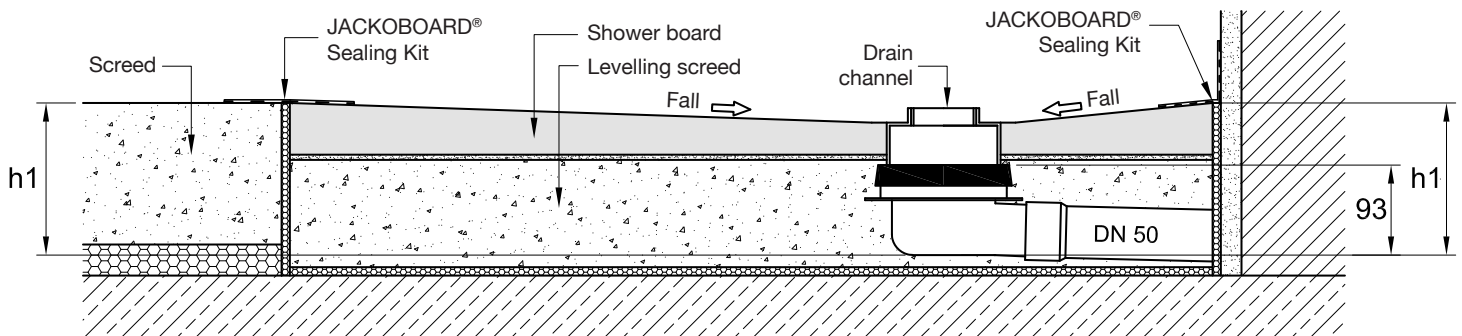
The stainless steel drain cover can be tiled on the reverse. If preferred simply turn it over and tile it.

### Installation heights for JACKOBOARD® Aqua Line easy 4-sided fall



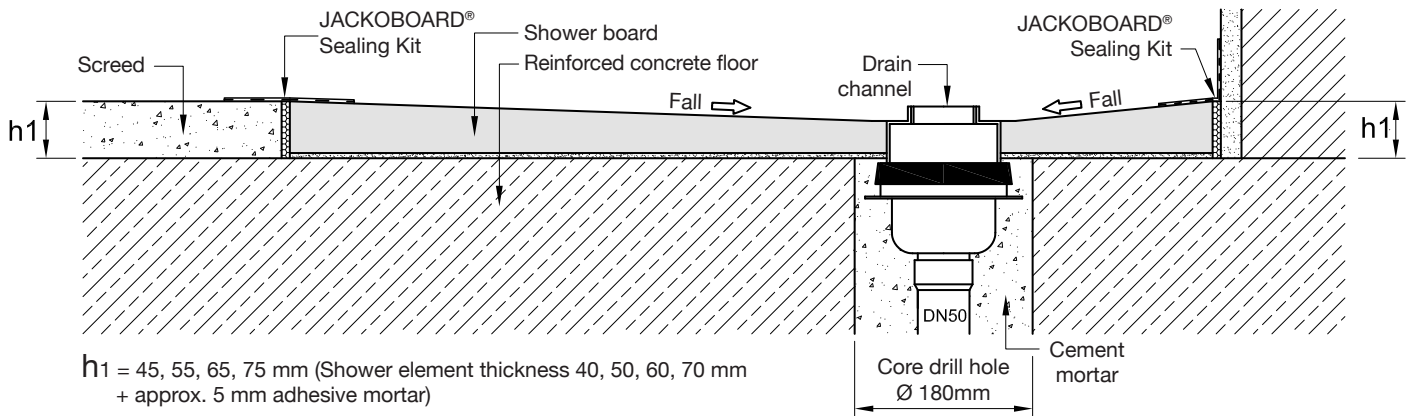
- ① Shower element (40, 50, 60 or 70 mm) + adhesive mortar (approx. 5 mm)
- ② For all dimensions with a 225 mm channel distance from the edge  
For other channel positions, it is necessary to measure the drain position on the shower element.

### Minimum installation heights for JACKOBOARD® Aqua Line easy 4-sided fall and horizontal drainage



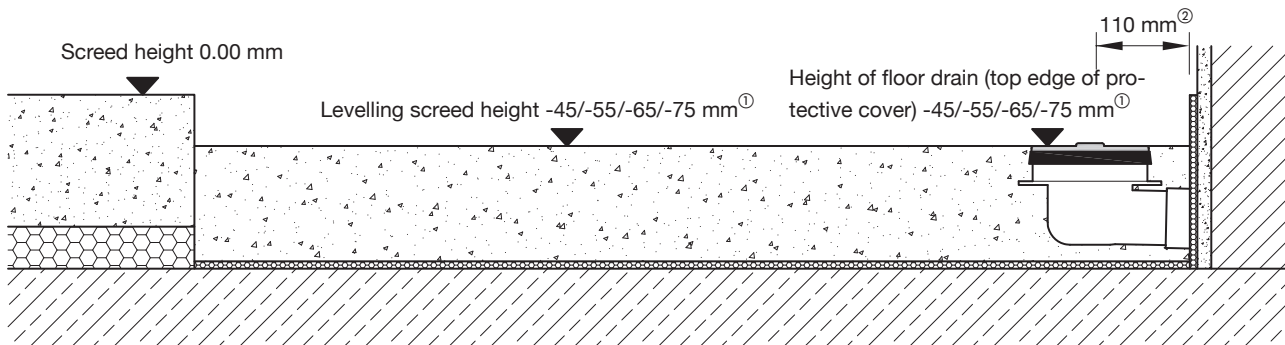
- $h_1 = 148$  mm (Minimum installation height for 40 mm shower element thickness)
- 158 mm (Minimum installation height for 50 mm shower element thickness)
- 168 mm (Minimum installation height for 60 mm shower element thickness)
- 178 mm (Minimum installation height for 70 mm shower element thickness)

### Minimum installation height for JACKOBOARD® Aqua Line easy 4-sided fall and vertical drainage



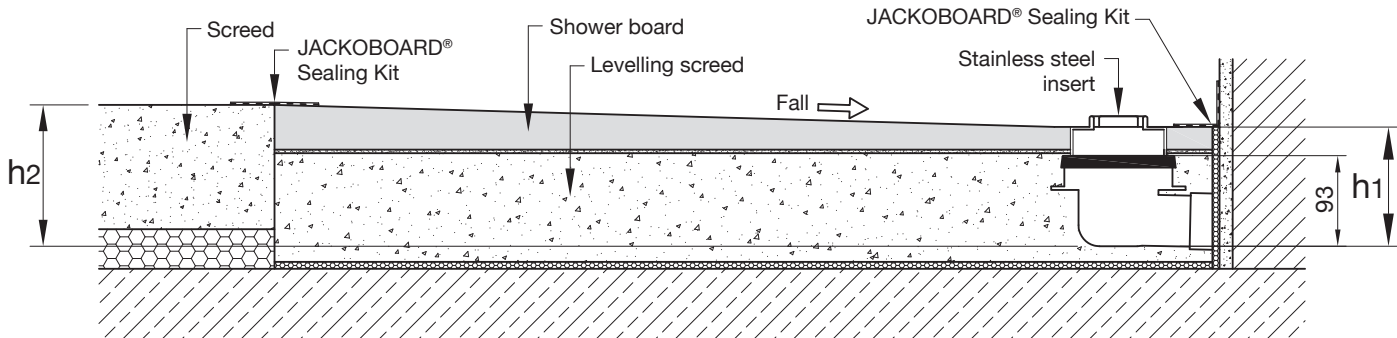
- $h_1 = 45, 55, 65, 75$  mm (Shower element thickness 40, 50, 60, 70 mm + approx. 5 mm adhesive mortar)

### JACKOBOARD® Aqua Line easy – Installation heights



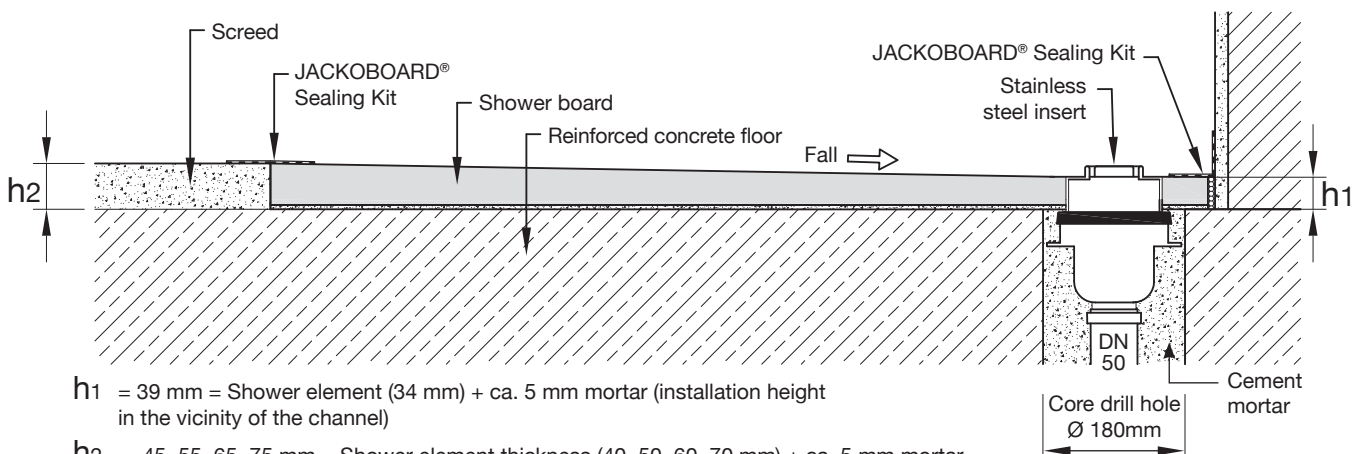
- ① Shower element (40, 50, 60 or 70 mm) + adhesive mortar (approx. 5 mm)
- ② For all dimensions with a 75 mm channel distance from the edge  
For other dimensions, it is necessary to measure the drain position on the shower element.

### Minimum installation heights for JACKOBOARD® Aqua Line easy 1-sided fall and horizontal drainage



- $h_1 = 137 \text{ mm}$  (in the vicinity of the channel)
- $h_2 = 148 \text{ mm}$  (Minimum installation height for 40 mm shower element thickness)
- 158 mm (Minimum installation height for 50 mm shower element thickness)
- 168 mm (Minimum installation height for 60 mm shower element thickness)
- 178 mm (Minimum installation height for 70 mm shower element thickness)

### Minimum installation heights for JACKOBOARD® Aqua Line easy 1-sided fall and vertical drainage



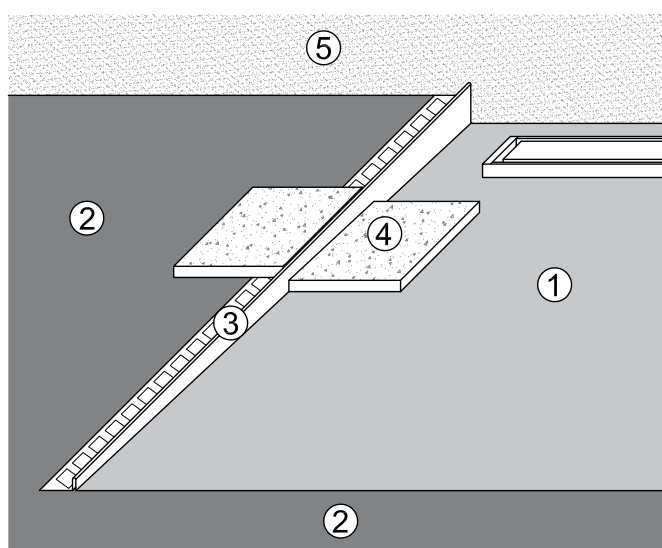
- $h_1 = 39 \text{ mm} = \text{Shower element (34 mm) + ca. 5 mm mortar (installation height in the vicinity of the channel)}$
- $h_2 = 45, 55, 65, 75 \text{ mm} = \text{Shower element thickness (40, 50, 60, 70 mm) + ca. 5 mm mortar}$

### Notes for laying tiles and slabs on JACKOBOARD® Aqua Line easy

JACKOBOARD® Aqua Line easy is immediately tileable. All types and sizes of tiles can be used in principle. Special care must only be taken when using mosaic tiles less than 25 mm thick. In such cases, we recommend using epoxy resin grout for the tile joints.

If showers are to be wheelchair-accessible, they must be covered with tiles measuring a minimum 50 x 50 mm. The tiles must be laid with a fall between the channel and the wall.

### Side edge for shower elements with 1-sided fall with JACKOBOARD® Aqua Line Profile



- ① JACKOBOARD® Aqua Line easy 1-sided fall
- ② Screed
- ③ JACKOBOARD® Aqua Line Profile (left version)
- ④ Tile
- ⑤ Wall

#### Please note

The information in this leaflet is based on our experience and current materials specification. It represents no specific guarantee and the instructions for use outlined should be always observed together with considerations regarding building structure and existing Building Law.