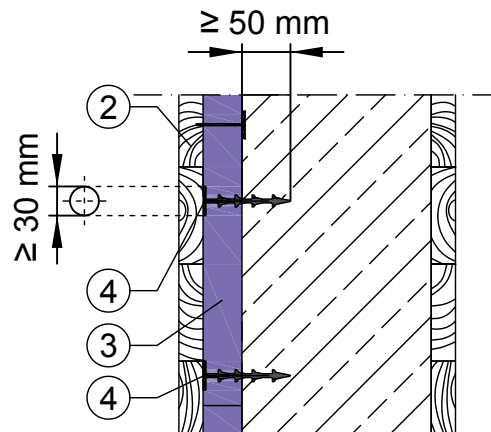
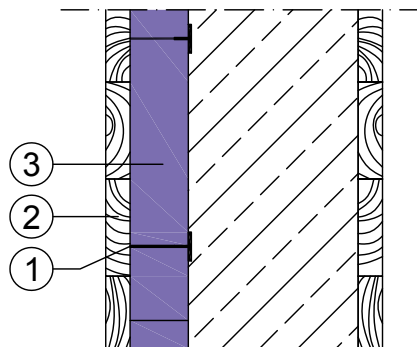



### Fixation with anchor



### Fixation of JACKODUR® Gefiniert in timber formwork



- ① Clout nail
- ② Timber formwork
- ③ JACKODUR® Gefiniert
- ④ Anchor

System	Building above ground level JACKODUR® Thermal insulation	<p>Note: The information in this drawing represents our current state of knowledge and experience. They do not represent any guarantee in the legal sense of the term. When using these products, the specific conditions relative to the particular application must always be taken into account, especially with regard to structural physics, civil engineering and statutory building regulations.</p>	
Date	04/2018		
Detail	02-006		