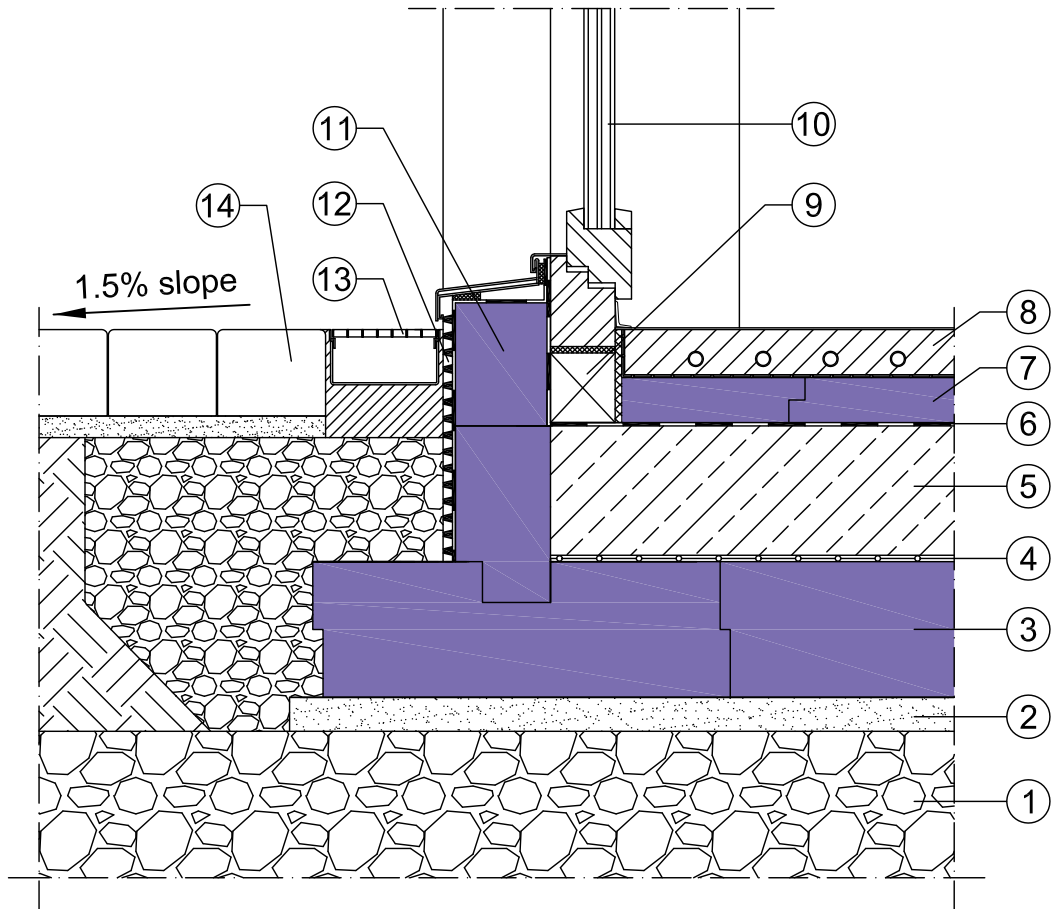



JACKODUR® Atlas - connection patio door (stepped threshold)



- | | |
|--|---|
| ① Type 1 stone | ⑨ Sole plate |
| ② Levelling layer e.g. grit sand | ⑩ Patio door |
| ③ JACKODUR® Atlas | ⑪ JACKODUR® KF 300 Gefiniert |
| ④ PE sheet | ⑫ Proprietary BS Waterproofing inc. impact protection layer |
| ⑤ Foundation slab | ⑬ Drainage channel |
| ⑥ Waterproofing | ⑭ Block paving |
| ⑦ e.g. JACKODUR® Plus 300 Standard | |
| ⑧ Screed with underfloor heating pipes | |

System	Perimeter	<p>Note: The information in this drawing represents our current state of knowledge and experience. They do not represent any guarantee in the legal sense of the term. When using these products, the specific conditions relative to the particular application must always be taken into account, especially with regard to structural physics, civil engineering and statutory building regulations.</p>	 www.jackon-insulation.com
Date	06/2019		
Detail	01-025		