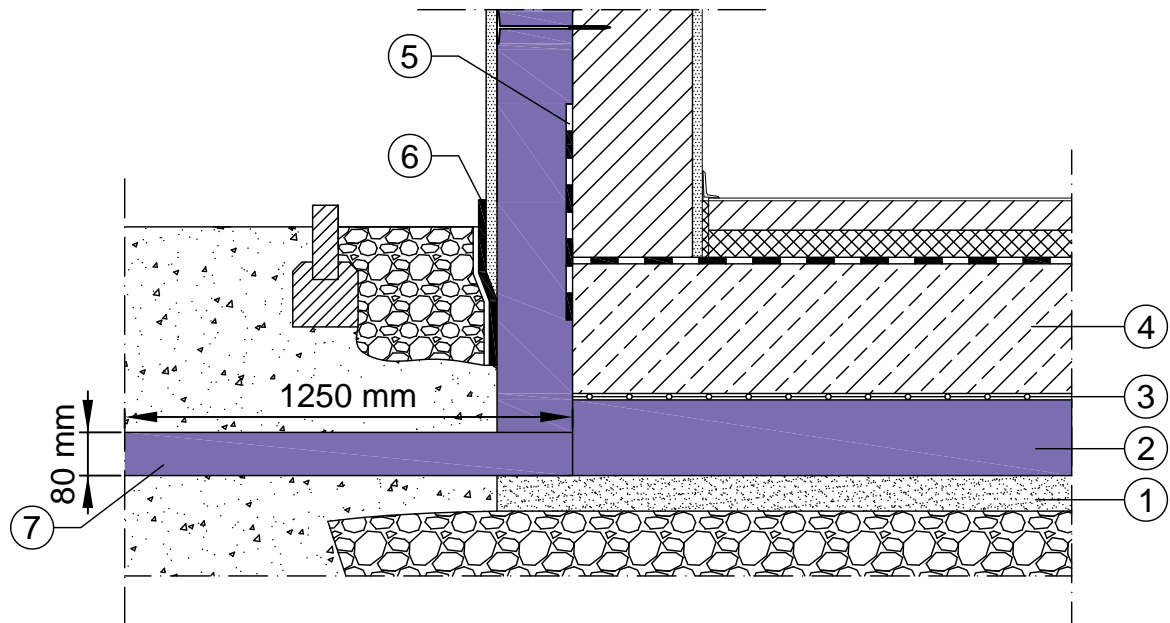



Foundation slab with horizontal frost protection



- ① Leveling layer e.g. gritt 4/8
- ② JACKODUR® KF 300/500/700 Standard
- ③ PE film
- ④ Foundation slab
- ⑤ Structural waterproofing
- ⑥ Cement-based waterproof coating and dimple sheet
- ⑦ Frost protection: JACKODUR® KF 300 Standard

System	Perimeter	<p>Note: The information in this drawing represents our current state of knowledge and experience. They do not represent any guarantee in the legal sense of the term.</p> <p>When using these products, the specific conditions relative to the particular application must always be taken into account, especially with regard to structural physics, civil engineering and statutory building regulations.</p>	 www.iackon-insulation.com
Date	04/2018		
Detail	01-003		